

# 80

## AGD series

80X80X25mm



### General Specification / 一般規格

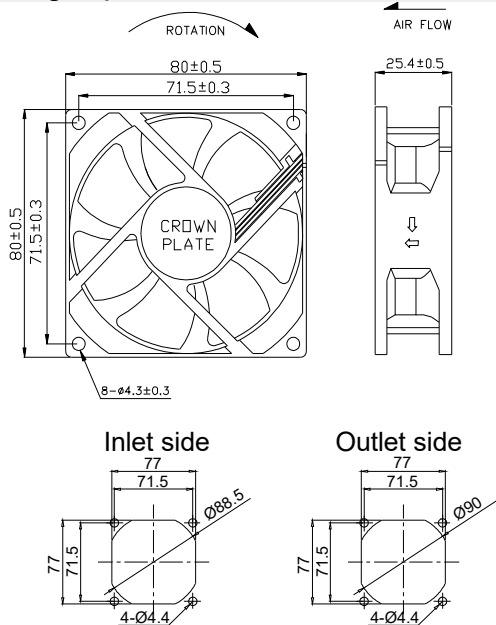
- Motor / DC brushless motor
- Material / Frame : plastic(94V-0)  
Impeller : plastic(94V-0)
- Bearing / Ball bearing;sleeve bearing
- Weight / 82g
- 馬達 / 直流單向無刷馬達
- 材質 / 框：塑膠(94V-0)  
葉：塑膠(94V-0)
- 軸承 / 滾珠軸承；含油軸承
- 重量 / 82克



### Specification / 詳細規格 \* 軸承/bearing B: 雙滾珠/ball bearing F:FMB S: 含油軸承/sleeve bearing

| Model<br>機型  | Bearing<br>軸承 | Voltage<br>電壓 | Operating Vol.<br>操作電壓 | Current<br>電流 | Speed<br>轉速 | Max. Air Flow<br>最大風量 | Max. Static Pressure<br>最大風壓 | Sound<br>噪音 | P-Q<br>P-Q曲線        |     |     |
|--------------|---------------|---------------|------------------------|---------------|-------------|-----------------------|------------------------------|-------------|---------------------|-----|-----|
| P/N          | B / S / F     | V             | V                      | A             | RPM         | m³/min                | CFM                          | Pa          | In-H <sub>2</sub> O | dBA | No. |
| AGD08025_12I | B             | 12            | 12 7.0~13.2            | 0.20          | 3500        | 1.35                  | 47.5                         | 35.3        | 0.14                | 31  | ①   |
| AGD08025_12J | B             | 12            | 12 7.0~13.2            | 0.32          | 4000        | 1.58                  | 55.8                         | 44.3        | 0.18                | 31  | ②   |
| AGD08025_12L | B             | 12            | 12 7.0~13.2            | 0.40          | 4500        | 1.88                  | 66.4                         | 53.9        | 0.22                | 39  | ③   |
| AGD08025_12M | B             | 12            | 12 7.0~13.2            | 0.65          | 5000        | 1.98                  | 69.9                         | 65.3        | 0.26                | 45  | ④   |
| AGD08025_12H | B             | 12            | 12 7.0~13.2            | 0.81          | 5500        | 2.10                  | 74.3                         | 68.0        | 0.27                | 48  | ⑤   |
| AGD08025_12U | B             | 12            | 12 7.0~13.2            | 1.00          | 6500        | 2.37                  | 83.6                         | 94.9        | 0.38                | 57  | ⑥   |
| AGD08025_24J | B             | 24            | 14.0~26.4              | 0.12          | 3500        | 1.35                  | 47.5                         | 35.3        | 0.14                | 31  | ①   |
| AGD08025_24I | B             | 24            | 14.0~26.4              | 0.16          | 4000        | 1.58                  | 55.8                         | 44.3        | 0.18                | 31  | ②   |
| AGD08025_24L | B             | 24            | 14.0~26.4              | 0.22          | 4500        | 1.88                  | 66.4                         | 53.9        | 0.22                | 39  | ③   |
| AGD08025_24M | B             | 24            | 14.0~26.4              | 0.32          | 5000        | 1.98                  | 69.9                         | 65.3        | 0.26                | 45  | ④   |
| AGD08025_24H | B             | 24            | 14.0~26.4              | 0.45          | 5500        | 2.10                  | 74.3                         | 68.0        | 0.27                | 48  | ⑤   |
| AGD08025_24U | B             | 24            | 14.0~26.4              | 0.51          | 6500        | 2.37                  | 83.6                         | 94.9        | 0.38                | 57  | ⑥   |
| AGD08025_48J | B             | 48            | 28.0~56.0              | 0.10          | 3500        | 1.35                  | 47.5                         | 35.3        | 0.14                | 37  | ①   |
| AGD08025_48I | B             | 48            | 28.0~56.0              | 0.15          | 4000        | 1.58                  | 55.8                         | 44.3        | 0.18                | 44  | ②   |
| AGD08025_48L | B             | 48            | 28.0~56.0              | 0.17          | 4500        | 1.88                  | 66.4                         | 53.9        | 0.22                | 46  | ③   |
| AGD08025_48M | B             | 48            | 28.0~56.0              | 0.19          | 5000        | 1.98                  | 69.9                         | 65.3        | 0.26                | 49  | ④   |
| AGD08025_48H | B             | 48            | 28.0~56.0              | 0.29          | 5500        | 2.10                  | 74.3                         | 68.0        | 0.27                | 51  | ⑤   |
| AGD08025_48U | B             | 48            | 28.0~56.0              | 0.60          | 6500        | 2.37                  | 83.6                         | 94.9        | 0.38                | 57  | ⑥   |

### Drawing & panel out-cuts/ 圖面及出入風口



### Characteristic Curves/ 特性曲線

