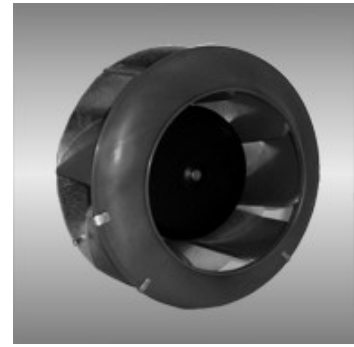


# 133 BG series

Ø133X91mm



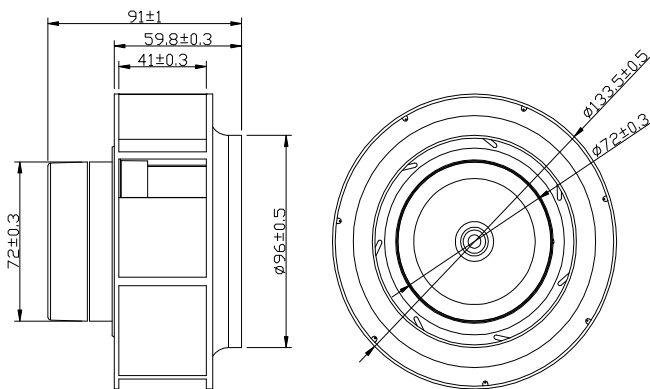
## ●General Specification / 一般規格

- Motor / DC brushless motor
- Material / Frame : die cast aluminum
- Bearing / Two ball precision bearing
- Insulator class "B"
- Weight / 0.7kg
- 馬達 / 直流無刷馬達
- 材質 / 框：鋁合金壓鑄；  
葉：塑膠 (94V-0)
- 軸承 / 雙滾珠精密軸承
- 絕緣等級 "B"
- 重量 / 0.7kg

## ●Specification / 詳細規格

Model	Bearing System	Rated Voltage	Rated Current	Rated Speed	Maximum Air Flow		Maximum Static Pressure		Sound Level	P-Q Curve
Part No.	B / S / F	V	A	RPM	m <sup>3</sup> /hr	CFM	Pa	In-H <sub>2</sub> O	dBA	No.
BGN13391B24U	B	24	1.6	4000	380	224	348	1.40	65	①
BGN13391B48U	B	48	0.8	4000	380	224	348	1.40	65	①

## ● Drawing / 外觀尺寸



unit:mm

## ● Characteristic Curves / 特性曲線

