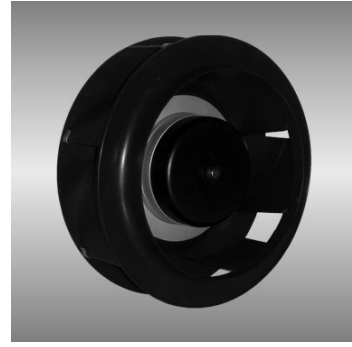


175 BG series

Ø175X68.5mm



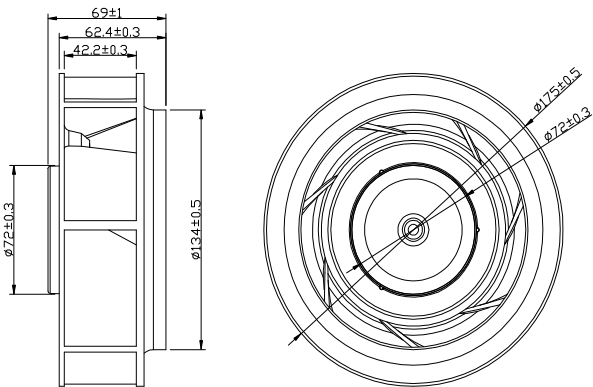
●General Specification

- Motor / DC brushless motor
 - Material / Frame : die cast aluminum
 - Impeller : plastic(94V-0)
 - Bearing / Two ball precision bearing
 - Insulator class "B"
 - Weight / 0.8kg
- 馬達 / 直流無刷馬達
 - 材質 / 框：鋁合金壓鑄；
葉：塑膠(94V-0)
 - 軸承 / 雙滾珠精密軸承
 - 絕緣等級 "B"
 - 重量 / 0.8kg

●Specification / 詳細規格

Model	Bearing System	Rated Voltage	Rated Current	Rated Speed	Maximum Air Flow		Maximum Static Pressure		Sound Level	P-Q Curve
Part No.	B / S / F	V	A	RPM	m ³ /hr	CFM	Pa	In-H ₂ O	dBA	No.
BGN17569B24H	B	24	1.5	3300	594	350	389	1.56	67	①
BGN17569B48H	B	48	1.2	3300	594	350	389	1.56	67	①
BGN17569B48U	B	48	1.2	4200	693	408	618	2.48	72	②

● Drawing / 外觀尺寸



unit:mm

● Characteristic Curves / 特性曲線

